



GfG Instrumentation

Worldwide manufacturer of gas detection solutions

Transmitter

4035-22

Operation Manual

Table of Contents

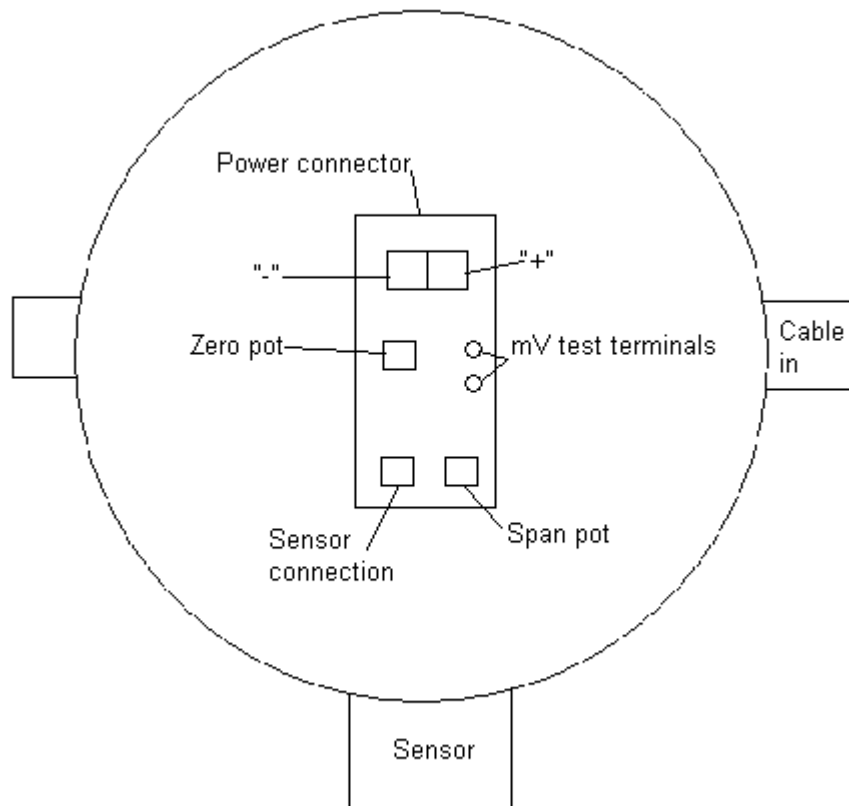
For Your Safety	3
General Description	3
Electrical Connections	4
Zero Point Adjustment	4
Sensitivity Check (Calibration)	5
Technical Data	5
Troubleshooting	6
Warranty Statement	6

For Your Safety

As with any piece of complex equipment, the GfG 4035 transmitter will do the job it is designed to do only if it is used and serviced in accordance with the manufacturer's instructions. Please protect yourself and your employees by following the instructions in this manual. All individuals who have or will have the responsibility for using and servicing this product must carefully read this manual. The warranties made by GfG with respect to the product are voided if functions or parameters are changed without the permission of GfG. They are also voided if the product is not used and serviced in accordance with the instructions in this manual. Failures or false alarms caused by interfering gases or electrical signals are not part of the warranty obligation. The above does not alter any statements by GfG regarding warranties, conditions of sale and/or delivery.

General Description

The 4035 transmitter uses an electrochemical sensor to convert a gas concentration into a linear 4–20mA electrical signal, and transmits it over a cable to a controller. It is a simple to connect, loop powered two wire transmitter.



Electrical Connections

The power connector is designed with a “quick disconnect” feature, which simplifies transmitter installation, replacement and service. The connector plug is easily removed from the transmitter by pulling straight up on the top of the power connector. This separates the bottom connection from the wiring connections to the plug. The connector plug is designed to be installed in only one direction (polarized) for safety reasons. Power is connected to the plug of the power connector by securing the stripped ends of the electrical cable using the two screws on the connector plug. Connect the supply wires (10–30 VDC) to the correct terminals on the connector plug (see diagram), and re-attach to the transmitter pc board by pressing back down on the pins from where it was removed.

Caution: If the supply wires are reversed on the power connector, the transmitter will produce no current output.

Zero Point Adjustment

The 4035 transmitter uses a conveniently located set of two test terminals (see diagram) which provide a mV reading that corresponds to the 4–20 mA output. A reading of 40 mV on the test terminals corresponds to 4 mA, and 200 mV corresponds to 20 mA. This feature offers a quick and easy way to verify zero readings and gas response without having to disconnect wires and place current meters in line with the transmitter.

Using a DC voltmeter set to the mV range; place the voltmeter’s leads in the 40–200 mV test terminals on the transmitter pc board. The reading should be approximately 40 mV. If you are unsure if the supply air is clean, flow impurity free air (zero air) into the sensing inlet using a calibration adapter and a 0.5 lpm fixed flow regulator, and allow the mV reading to stabilize. Please contact your GfG sales representative for zero gas ordering information if necessary. If the mV reading is not 40 mV, then the zero must be adjusted.

To adjust the **ZERO to 4mA** (40 mV on the test terminals), slowly adjust the zero potentiometer on the transmitter board (see diagram) until a reading of 40 mV on the test terminals is reached (if the zero potentiometer cannot be adjusted to 40 mV, please contact GfG service for detailed instructions). This procedure will set the current output from the transmitter to 4 mA (zero).

After adjusting the zero point and while still running zero air across the sensor, verify that the controller is reading “0”. If it is not reading “0”, then adjust **the controller, not the transmitter**, to read “0” (reference the controller manual for the proper adjustment procedure).

Sensitivity Check (Calibration)

The 4035 transmitter uses a conveniently located set of two test terminals (see diagram) which provide a mV reading that corresponds to the 4-20 mA output. A reading of 40 mV on the test terminals corresponds to 4 mA, and 200 mV corresponds to 20 mA. This feature offers a quick and easy way to verify zero readings and gas response, without having to disconnect wires and place current meters in line with the transmitter.

Using a DC voltmeter set to the mV range, place the voltmeter's leads in the 40–200 mV test terminals on the transmitter pc board. Attach the calibration adapter to the sensing inlet. Flow 20 ppm calibration gas at 0.5 lpm (please contact your GfG sales representative for calibration gas ordering information if necessary). Allow the gas to flow across the sensor for at least 2 minutes or until the transmitter signal is stable, then check to see that the mV reading is at 50.6 mV.

If the mV reading is not correct, adjust the **Span** potentiometer slowly until a mV reading of 50.6 is obtained (if the span potentiometer cannot be adjusted to the correct mV reading, please contact GfG service for detailed instructions). After the span adjustment is complete, remove the calibration gas, re-attach the supply air, and allow the transmitter current output to return to 40 mV (zero).

After adjusting the calibration point and while still running 20 ppm CO across the sensor, verify that the controller is reading "20". If it is not reading "20", then adjust **the controller, not the transmitter**, to read "20" (reference the controller manual for the proper adjustment procedure).

Technical Data

Gas & Detection Range:	Carbon Monoxide to 300 ppm
Detection principle:	Electrochemical
Gas supply:	Supplied
Response time T_{90} :	< 30 seconds
Output signal:	4–20mA Linear
Voltage supply:	10–30 VDC
Sensor Cable:	18 AWG 2 conductor shielded
Operating Temperature:	-20 to 50° C (typical)
Relative Humidity:	15–95% rh non-condensing

GfG reserves the right to change part number, prices & technical information without notification.

Troubleshooting

Symptom	Possible cause	Solution
No output	<ul style="list-style-type: none">• Supply wires reversed	<ul style="list-style-type: none">• Check wiring for proper polarity
No voltage to transmitter	<ul style="list-style-type: none">• No power	<ul style="list-style-type: none">• Check for 10-30 VDC at power connector
No response to gas	<ul style="list-style-type: none">• Sensor has expired• Sensor wires disconnected• Sensor not plugged in correctly	<ul style="list-style-type: none">• Replace sensor• Check sensor wiring• Check sensor connection to transmitter pcb
Sensor will not calibrate	<ul style="list-style-type: none">• Sensor has expired• Incorrect or bad span gas	<ul style="list-style-type: none">• Replace sensor• Use correct concentration of span gas

Please contact GfG's service department if you need additional help.

Warranty Statement

GfG Instrumentation warrants our products to be free from defects in material and workmanship when used for their intended purpose, and agrees to remedy any such defect or to furnish a new part (at the option of GfG Instrumentation) in exchange for any part of any product that we manufacture that under normal use is found to be defective; provided that the product is returned, by the purchaser, to GfG's factory, intact, for our examination, with all transportation costs prepaid, and provided that such examination reveals, in our judgment, that it is defective. This warranty does not extend to any products that have been subjected to misuse, neglect, accident, or unauthorized modifications; nor does it extend to products used contrary to the instructions furnished by us or to products that have been repaired or altered outside of our factory. No agent or reseller of GfG Instrumentation may alter the above statements.



GfG Instrumentation

1194 Oak Valley Drive, Suite 20

Ann Arbor, Michigan 48108 USA

Phone: (800) 959-0329 or (734) 769-0573

Fax (734) 769-1888

E-mail: info@goodforgas.com

Website: www.goodforgas.com