



Worldwide Supplier of Gas Detection Solutions



## GMA200 Gas detection system

Copyright GFG 2014

1

Gesellschaft für Gerätebau mbH



Worldwide Supplier of Gas Detection Solutions

## GMA200 Gas detection system

### **Architecture of the GMA200 System**

- GMA and transmitter
- Relay modules
- Star-, Loop-, Lines cabling
- Gateway

Copyright GFG 2014

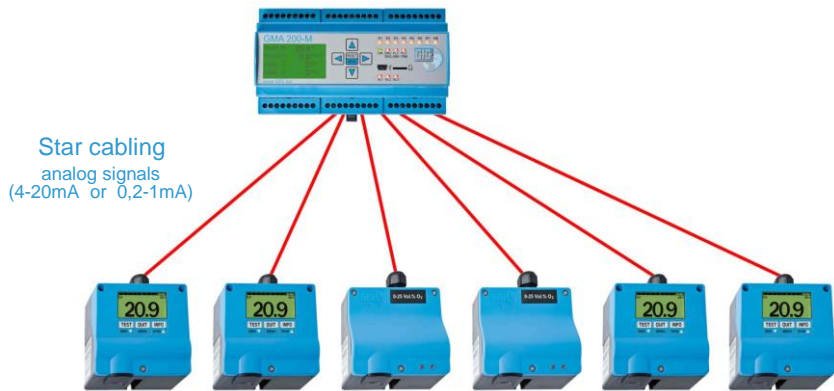
2

Gesellschaft für Gerätebau mbH



Worldwide Supplier of Gas Detection Solutions

## GMA200 Connection of transmitters with analog interfaces



Copyright GFG 2014

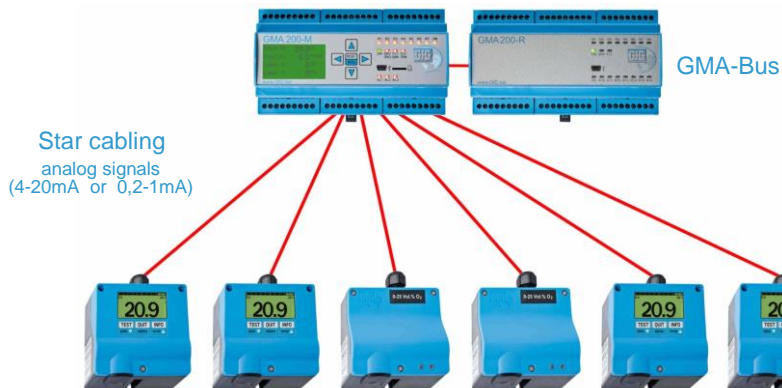
3

Gesellschaft für Gerätebau mbH



Worldwide Supplier of Gas Detection Solutions

## GMA200 Connection of transmitters with analog interfaces



Copyright GFG 2014

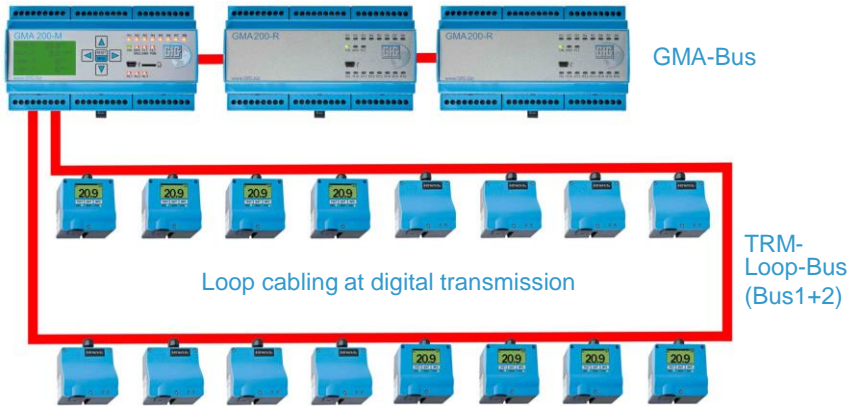
4

Gesellschaft für Gerätebau mbH



Worldwide Supplier of Gas Detection Solutions

## GMA200 Connection of transmitters with digital interfaces



Copyright GfG 2014

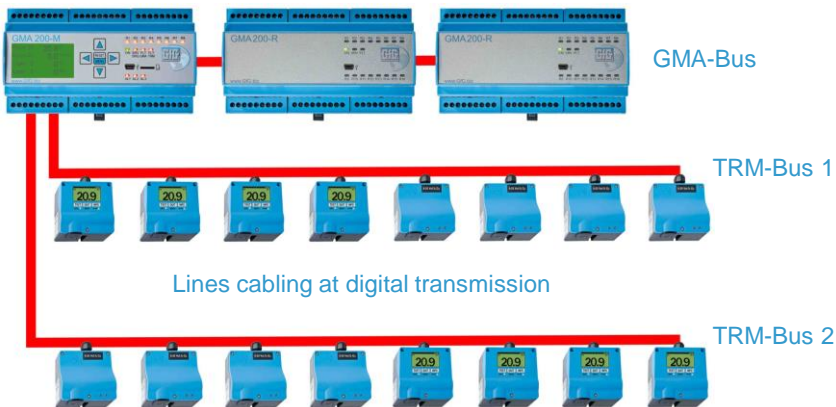
5

Gesellschaft für Gerätebau mbH



Worldwide Supplier of Gas Detection Solutions

## GMA200 Connection of transmitters with digital interfaces



Copyright GfG 2014

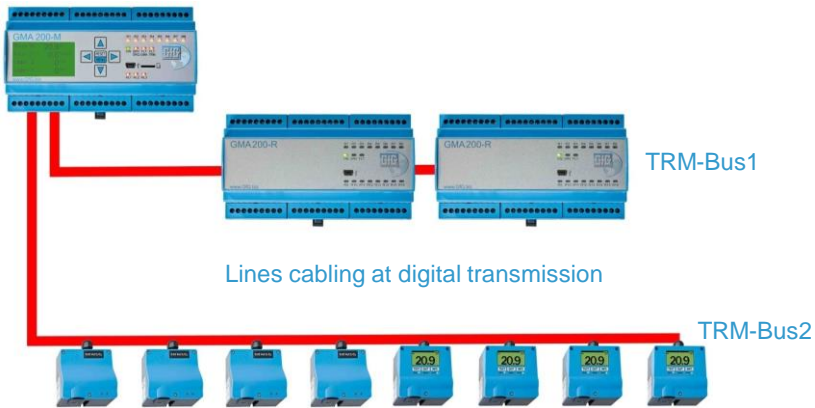
6

Gesellschaft für Gerätebau mbH



Worldwide Supplier of Gas Detection Solutions

## GMA200 Connection of devices with digital interfaces



Copyright GFG 2014

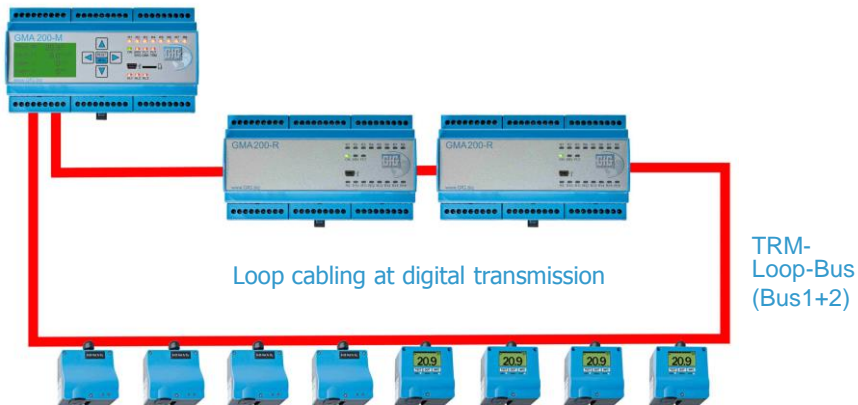
7

Gesellschaft für Gerätebau mbH



Worldwide Supplier of Gas Detection Solutions

## GMA200 Connection of devices with digital interfaces



Copyright GFG 2014

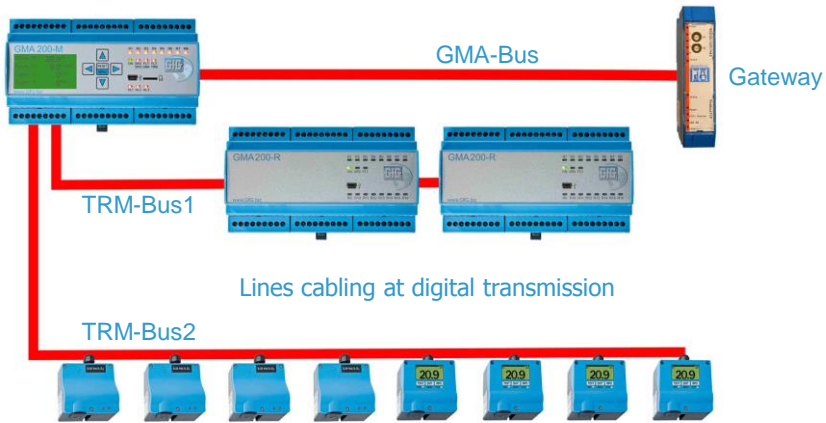
8

Gesellschaft für Gerätebau mbH



Worldwide Supplier of Gas Detection Solutions

## GMA200 Connection of devices and a gateway



Copyright GFG 2014

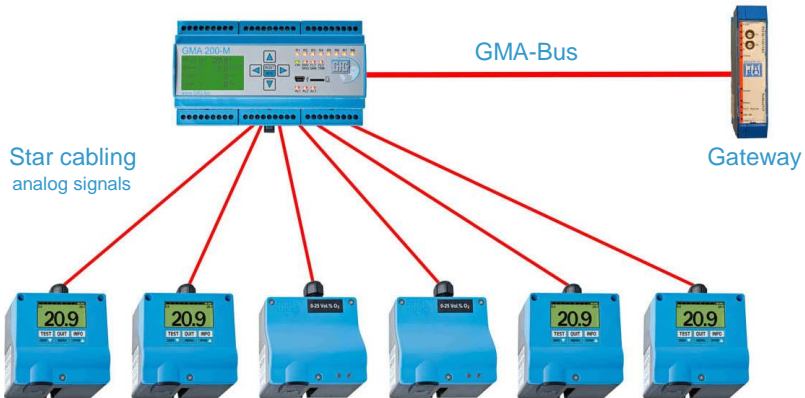
9

Gesellschaft für Gerätebau mbH



Worldwide Supplier of Gas Detection Solutions

## GMA200 Connection of devices and a gateway



Copyright GFG 2014

10

Gesellschaft für Gerätebau mbH



## GMA200 Gateway with Ethernet-Interface

- Data communication via gateway
  - Polling of measuring values and status informations (every second)
  - Reading of measuring points- and transmitter configuration (MR, AL)
  - Reset of alarms (optional)
  
- GMA200 configuration with GMA200Config-software
  - GMA-Bus Address
  - GMA-Bus Baudrate
  
- Gateway configuration with WinGate-software
  - IP Address, Subnet-Mask, etc.
  - Transport protocol TCP Modbus, Modbus RTU, etc.
  - Frame format, Baudrate
  - Interface type, etc.



## GMA200 Gateway with Ethernet-Interface

### Example for gateway configuration

Parameter	Value
Software revision	V 5.3
Device type	Fast Ethernet(Script)
Script revision	36
Serial Number	36810086
Script memory	16320
Data memory	9192
IP Address LINIGATE	192.168.37.223 *1
Subnet-Mask	255.255.255.0 *1
IP Address Gateway	192.168.37.13 *1
IP Address Target	0.0.0.0
Transport protocol	TCP MODBUS
Send Port	502
Receive Port	502
Protocol	Modbus RTU Master
Response time (10ms)	25
Start bits	1
Data bits	8
Stop bits	1
Parity	Even
Baudrate	115200 *2
232 Interface	485
Data exchange	On Event
Fieldbus length/byte	inactive



- \*1 Ethernet settings (specific to customer)
- \*2 GMA-Bus settings (specific to GMA system)



Worldwide Supplier of Gas Detection Solutions



Thank you for your attention!