

# GMA200-MW16 Controller

**High performance control of up to 16 transmitters**





# GMA200-MW16 Controller

High performance control of up to 16 transmitters

## GMA200 Gas detection system

The GMA200 offers innovative technology and trend-setting flexibility. It is designed for commercial and industrial applications for the measurement of combustible and toxic gases as well as for the measurement of oxygen. The GMA200-MW16 controller is ideally suited for complex gas detection systems with up to 16 digital or analog transmitters. Safety components can be connected directly to the GMA200-MW16 using internal relays. The display will indicate the current measured values as well as any alarms or special states of the transmitters.

## Versatile application possibilities

The GMA200-MW16 controller and the connected transmitters form a fixed gas detection system for measuring toxic and flammable gases as well as oxygen concentration. Up to 16 digital transmitters can communicate with the controller via the RS-485 interface. Analog transmitters (up to 16) can be connected via 0.2-1 mA or 4-20 mA. The GMA200-MW16 is suitable for any GfG transmitter and any available gas type. This offers a large number of possible combinations of gases, measuring ranges, measuring points and Ex zones to be monitored simultaneously. The robust housing (IP65) for wall mounting can be installed in almost any location. The supply voltage is 100-230 V AC or 24 V DC.

## Integrated relays

Six internal relays with one normally open contact each can be programmed individually to implement safety measures. Two additional relays are available for fault messages and maintenance. If your area of application requires it, the number of programmable relays can be increased to up to 70 (6 internal and 64 external relays). The relay modules are connected through the GMA bus interface. GfG's GMA200-RT and GMA200-RTD relay modules allow safety measures to be implemented in a decentralized manner, reducing the amount of cabling required.

## Remote terminal displays

Relay modules are available with or without an integral display for readings and system information, making it easy to add a remote terminal wherever needed.



*GMA200-MW16 Controller in IP65 wall-mounted housing.*

## Graphical display and LED lights indicate hazardous situations

The GMA200-MW16 has a color backlit 2.2 inch display on which the current measured values of the connected transmitters are indicated at any time. In the event of an alarm, the background color changes from green to red. At the same time, LEDs indicate the alarm level and the relay switching states. A local alarm is triggered by an easily visible alarm light and a loud, integrated buzzer (100 dB). Two input slots are available for external alarm acknowledgement push buttons.

# « Reliable Controller for Complex Systems. »

## Data logger

For long-term storage and documentation of the measured values, the GMA200-MW16 can be equipped with a microSD memory card. Measured values, average values, alarm events and faults are stored at individually configurable intervals and are available for evaluation.

## Operation, visualization and data storage

The controller is operated by five push buttons and the alarm is intuitively acknowledged the same way. The device can be configured via the mini-USB interface using a PC and the GMAConfig software. With the optional GMA200-VS software, all measured values and states of the connected transmitters can also be displayed decentrally on a PC or monitor. Equipped with a microSD card, the controller permanently stores measured values, average values, alarm events and faults at individually configurable intervals for evaluation.

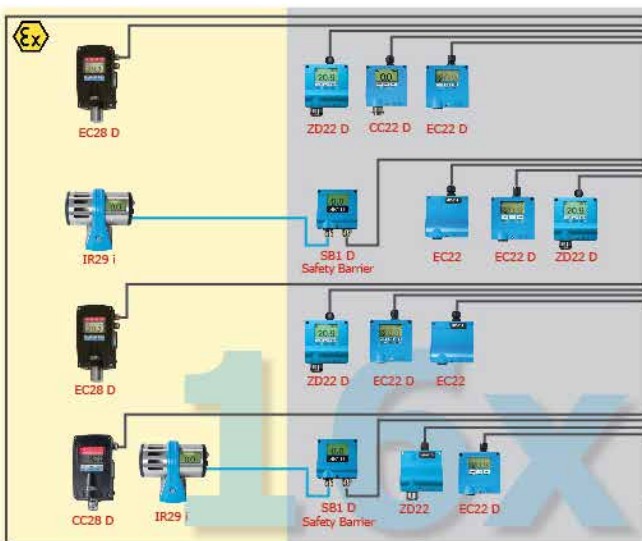
## GMA200 power options

GMA200-MW16 power options include traditional voltage inputs (2 x 24 V DC, 20-30 V), as well as operation via a redundant, uninterruptible power supply (UPS), ensuring continued operation of the gas warning system even during a power outage.



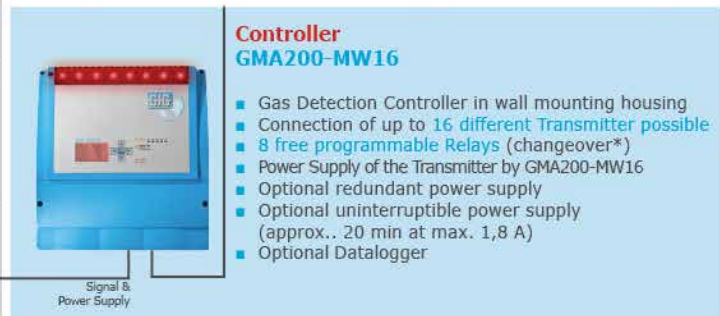
## Easy configuration

Easy-to-use, menu driven GMA200-MW16 software allows configuration of sensor type, gas type, measuring point designations, units of measurement, calibration curves, and function of the comprehensive and fully programmable relays. Up to three individual or specified alarm thresholds can be programmed for each measuring point. The GMA 200-MW16 continuously evaluates the analog input signals of the connected transmitters.



## Controller GMA200-MW16

- Gas Detection Controller in wall mounting housing
- Connection of up to 16 different Transmitter possible
- 8 free programmable Relays (changeover\*)
- Power Supply of the Transmitter by GMA200-MW16
- Optional redundant power supply
- Optional uninterruptible power supply (approx.. 20 min at max. 1,8 A)
- Optional Datalogger



Power of the GMA200-MW16 Controller system.

## Optional Fieldbus Gateways

Optional gateway modules allow integration of the GMA200-MW16 system into existing company networks based on TCP/IP, Process Field Bus or Process Field Network protocols. Monitoring and system performance data can be exported for viewing or analysis.



# Technical Data: GMA200-MW16

<b>Displays and controls:</b> Status LEDs: Display: Pushbuttons: Alarm:	13 status LEDs for alarms, operating and relay states 2.2 inch graphic display with 132 x 65 pixels 5 function keys Horn max. 100 dB(A) adjustable
<b>Power supply:</b> Operating voltage: Power consumption: Fuses:	100-240 V AC 50-60 Hz mains voltage and/or 24 V DC (20-30 V DC) through stabilized SELV or PELV power supply unit Max. 16 VA (without transmitters) Max. 42 VA (with transmitters) F1: T 500 mA changeable (for GMA200) F2: M 1 (for transmitters)
<b>Transmitter connections:</b> Supply output $U_{out}$ : Analog signal input $I_{IN}$ : Digital signals TRM bus 1+2:	24 V DC $\pm 3\%$ supplied by the internal power supply unit, otherwise 20-30 V DC (see above) 4x 150 mA or $I_{ges}=0.6$ A with different allocation 4-20 mA or 0.2-1 mA Measuring tolerance: $\pm 0.3\%$ MR @ 4-20 mA or $\pm 1.2\%$ MR @ 0.2-1 mA (MR = measuring range) (Load approx. 50 to 100 $\Omega$ , $I_{max} = 70$ mA continuous / 500 mA short-time) RS-485; half-duplex; max. 38,400 baud
<b>Measurement value processing:</b> Update time: Adjustment time for RS485: for 4-20 mA: for 0.2-1 mA: Ready delay:	1s (If there are more than 16 transmitters and relay modules on the same TRM bus and the data transmission is only at 9600 baud, the cycle time is extended from 1.0 to max. 1.3 s, so that the time of 1 s cannot be maintained) Rise time $t_{50}<2s$ or $t_{90}<2sec$ Decay time $t_{50}<2s$ or $t_{10}<2sec$ Rise time $t_{50}<2s$ or $t_{90}<4sec$ Decay time $t_{50}<2s$ or $t_{10}<4sec$ Rise time $t_{50}<6s$ or $t_{90}<10sec$ Decay time $t_{50}<6s$ or $t_{10}<10sec$ (extended by setting times of the gas measuring transmitters) <40s (can be extended by running-in times of gas measuring transmitters)
<b>RS-485 outputs:</b> GMA bus: RS485 bus:	RS-485; half-duplex; max. 230,400 baud (for GMA200 relay modules, control center, PC, PLC or gateway) RS-485; half-duplex; max. 38,400 baud (only for GMA200 relay modules)
<b>Relay outputs</b> Contacts: Insulation distances: Contact load capacity: Minimum switching current: Minimum switching voltage: Switching frequency:	6 relays with normally open contact Basic insulation between the relays: 1&2, 3&4, 5&6 Double insulation between the relays: 2&3, 4&5 3 A/250 V AC or 3A/30 V DC 10 mA 5 V Max. 100 per year (per relay contact), valid for SIL applications according to EN 50402
<b>Analog outputs:</b> $I_{OUT}$ 1+2: Accuracy:	4-20 mA with linear transfer function (load max. 560 $\Omega$ ) $\pm 0.3\%$ MR @ 10 to 30 $^{\circ}C$ or $\pm 0.8\%$ MR @ -20 to 50 $^{\circ}C$ (MR=measurement/signal range)
<b>Alarm acknowledgement inputs:</b> Reset 1+2:	0-3V DC (alarm acknowledgement occurs on contact with GND; UMAX=30V DC)
<b>Environmental conditions:</b> Mounting location: Temperature for storage: Temperature for operation	Indoors only up to an altitude of 2,000 m above sea level -13 to +140 $^{\circ}F$ / -25 to +60 $^{\circ}C$   0 to 99% r.h (recommended +32 to +86 $^{\circ}F$ / 0 to +30 $^{\circ}C$   40 to 60% r.h.) -4 to +131 $^{\circ}F$ / -20 to +55 $^{\circ}C$   0 to 99% r.h.
<b>Housing:</b> Protection class: Dimensions:	IP65 8.23 x 7 x 2.52 in / 209 x 180 x 64 mm (W x H x D)
<b>Approvals / Certifications:</b> ATEX approval : Electromagnetic compatibility: Electrical Safety: Functional Safety: Metrological suitability:	ATEX 94/9/EC EN 50270:2015 (Interference emission: Type class I, Interference immunity: Type class II) EN 61010-1:2010 (pollution degree 2, overvoltage category III for relay contacts) EN 50402:2017; IEC 61508-1 to -7:2010 (SIL2/SC3) EN 50271:2018; EN 62061:2016; ISO 13849-1:2015 EN 60079-29-1:2016 (EX); EN 50104:2010 (OX); EN 45544-1/-2/-3:2015 (TOX)



[www.gfgsafety.com/us-en](http://www.gfgsafety.com/us-en)

© GfG Instrumentation, Inc. 2022  
 All specifications on this brochure are subject to technical changes due to further development.

USA and Canada  
 Latin America  
 Germany  
 South Africa  
 Asia Pacific  
 Great Britain  
 Switzerland  
 France  
 Poland  
 Austria  
 Netherlands

info@goodforgas.com  
 info@goodforgas.com  
 info@gfg-mbh.com  
 info@gfg.co.za  
 sales@gfg-asiapac.sg  
 sales@gfggas.co.uk  
 info@gfg.ch  
 alainflachon@gfg-gasdetection.fr  
 biuro@gfg.pl  
 austria@gfg-mbh.com  
 info@gfg-gasdetection.nl



GfG Instrumentation, Inc.

1194 Oak Valley Drive, Suite 20, Ann Arbor, MI 48108 USA  
 Phone: (734) 769-0573 • Toll Free (USA / Canada): (800) 959-0329  
 Website: [www.gfgsafety.com/us-en](http://www.gfgsafety.com/us-en) • [info@goodforgas.com](mailto:info@goodforgas.com)

Rev. 1 (12/01/22)